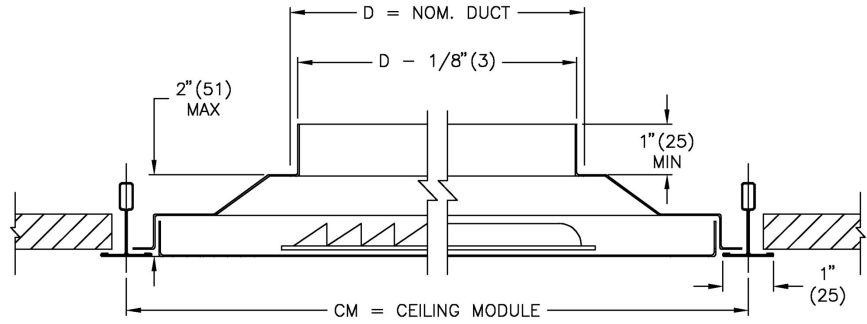
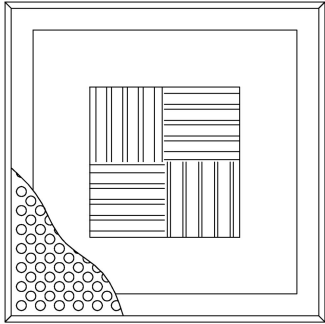


PDF Steel Perforated Diffuser with Face Deflectors

Perforated Face Cutaway:



Notes:

- Border 3: T-bar lay-in
- Deflectors held in place with 4 screws
- Deflectors are factory supplied in a 4 way pattern setting
- Other pattern settings can be achieved by rotating deflectors
- Maximum backpan height is 2" (51)
- Factory tolerance $\pm 1/32$ " (1)

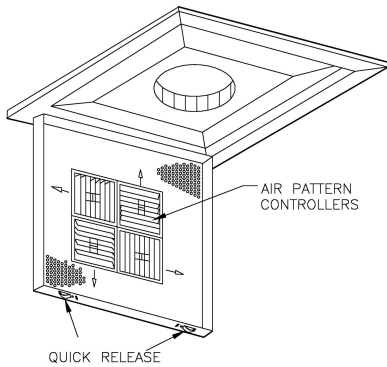
Material:

- Steel Construction

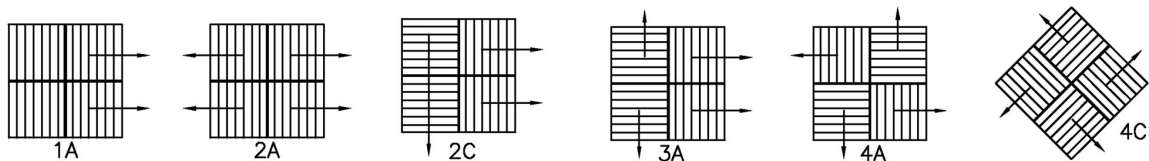
Finish:

- B12: Standard White

Detail View:



Airflow Patterns:



PROJECT:
ENGINEER:
DESCRIPTION: Steel Perforated, Face Deflectors
PDF//1/6//3//24/24//B12

SUBMITTAL NO: 261203
CUSTOMER:

SUBMITTAL DATE: 6/24/2020